

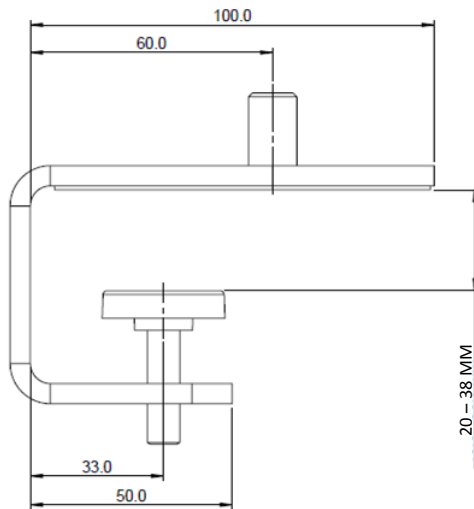
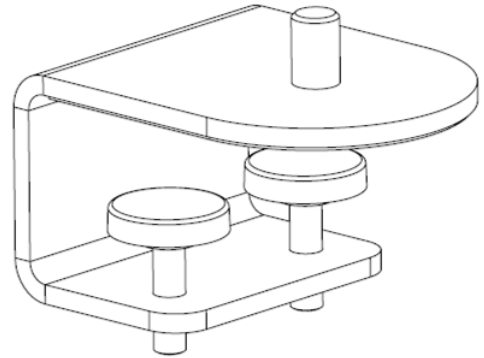
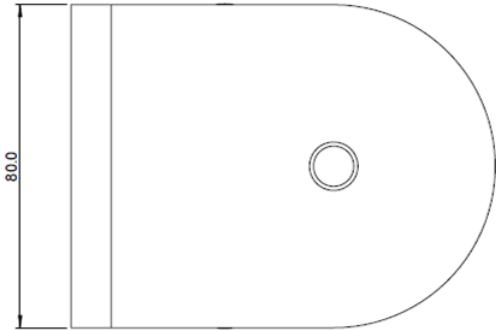


TECHNICAL SPECIFICATION SHEET

PRODUCT NAME: Universal Desk Clamp

PRODUCT CODE: UNI/LCLM38

Doc Rev 1. 20.04.2015. CF



*Note that dimensions provided are measured in mm

KEY FEATURES

- Mounts WSH post system to work surface
- Soft pad protects work surface from damage
- Clamp pads ensure secure grip without damaging underside of worktop
- Suitable for desk range of 20 – 38mm

Product Classification	Brackets, Clamps & Fixings
Max load	N/A
Build level	N/A
Recycled content	25%
Total product recyclable	100%

LOGISTICAL

Box contains	Clamp, clamp screws, clamp pads, allen key
Product net weight:	0.65 kg
Box dims (HxWxD)	135 x 95 x 95 mm
Box gross weight	0.7 kg
Carton quantity	20
Master dims (HxWxD)	505 x 220 x 285 mm
Master weight	15.3 kg
Country of origin	China
Country of configuration	UK

ORDERING INFORMATION

<u>Colour</u>	<u>Product code</u>	<u>EAN</u>
Silver	UNI/LCLM38/S	5060096220770

WARRANTY

Warranty Term	Limited lifetime
----------------------	------------------

COMPLIANCE & SAFETY CERTIFICATION

Whilst no mandatory standards apply to the monitor arm product sector, all Colebrook Bosson Saunders monitor arms have been designed with appropriate articulation features, dimensional range and adjustability to conform to the requirements of BS EN ISO 9241:5 1999 Ergonomic requirements for office work with visual display terminals (VDTs).

Conformance certification	N/A
Test authority	CBS
Safety certification	N/A

ENVIRONMENTAL

Material type	Material type Weight	% PIR of total weight	% PCR of total weight	% of total product recyclable
Aluminium Die Cast	21g	0.63%	1.26%	3.15%
Aluminium Extruded	0g	0%	0%	0%
Plastic	0g	0%	0%	0%
Rubber	5g	0%	0%	0.75%
Steel	640g	0%	24.02%	96.10%
Other	0g	0%	0%	0%
Total	666	0.63%	25.29%	100.00%

CLEANING, STORAGE & MAINTENANCE

Routine servicing	Periodic inspection
Service components	Available to order
Cleaning & Maintenance	Damp cloth, no abrasives, no solvents to be used on the cosmetic surfaces
Handling & Storage	Do not drop or expose to moisture

Colebrook Bosson Saunders (Products) Ltd accept no liability for the accuracy of the information contained herein and retain the right to modify the specifications or data contained herein without prior notification.