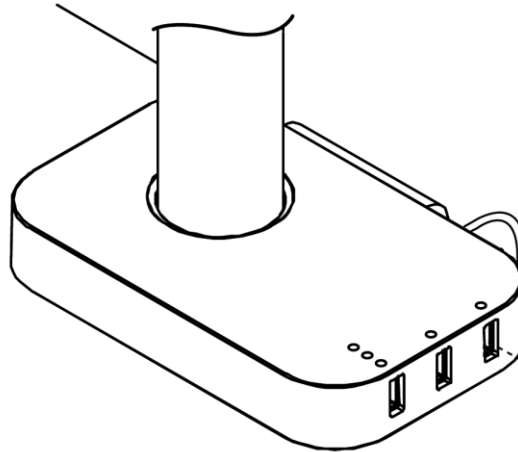




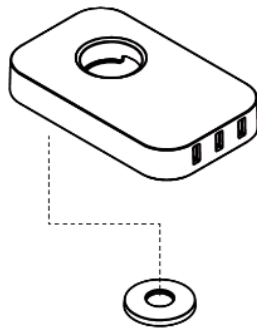
TECHNICAL SPECIFICATION SHEET

PRODUCT NAME: Flo Power Hub
PRODUCT CODE: USB/001/001 (Schuko Version)
USB/002/001(UK Version)

Doc Rev 2. 22.09.2015. CF

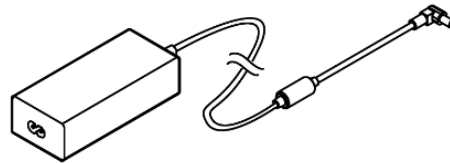


Flo Power Hub



H 23mm x W 150mm x D 92mm

Power Supply Unit (PSU)

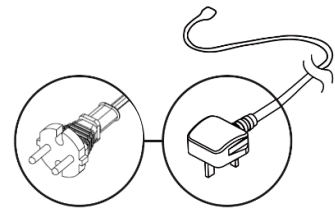


H 35mm x W 120mm x D 50mm

Cable Length: 1100mm

*Dimensions maybe subject to change

Mains Cable



Cable Length: 1500mm

*Dimensions maybe subject to change

*Schuko plug appearance may be subject to change

*Note dimensions provided are measured in mm

KEY FEATURES

- 3 x USB charging ports (1 fast charge, 2 standard charge ports)
- Compact size occupies minimal desk space
- Integrates with the monitor arm desk clamp to provide USB desktop charging
- Compatible with Flo Monitor arms
- Compatible with post mounted arms using supplied adaptor washer
- Available in two colour options:
 - Light grey – to complement white monitor arms
 - Dark grey – to complement silver monitor arms

Specifications

Product Classification	Power & Lighting
Build Level	UK: #A Schuko: #A
Recycled Content	TBC
Total Product Recyclable	TBC

Flo Power Hub Specification

Product Dimensions:	H 23mm x W 150mm x D 92mm
Product Colour:	Light Grey & Dark Grey
Input:	DC 5V , 5A
Output:	1 st port DC 5V, 2.4A 2 nd & 3 rd port DC 5V, 1A

PSU Specification

Product Dimensions:	H 35mm x W 120mm x D 50mm *
Power Cable Length:	1100mm *
Product Colour:	Black
Power Input:	AC 100-240V, 50/60Hz,
Power Output:	DC 5V , 5A

Mains Cable Specification

Power Cable Length:	1500mm *
Product Colour:	Black
Fuse Rating (UK Only):	3A

*Dimensions may be subject to change

LOGISTICAL

Box contains	Flo Power Hub, Power Supply Unit (PSU), Mains Cable, Adaptor Washer
Product net weight:	0.46 kg
Box dims (HxWxD)	85 x 165 x 100 mm
Box gross weight	0.55 kg
Carton quantity	48
Master dims (HxWxD)	516 x 364 x 454 mm
Master weight	27.96 kg
Country of origin	China
Country of configuration	UK

ORDERING INFORMATION

<u>Colour</u>	<u>Product code</u>	<u>EAN</u>
Light Grey (Schuko)	USB/001/001/LG	5060270824725
Dark Grey (Schuko)	USB/001/001/DG	5060270824718
Light Grey (UK)	USB/002/001/LG	5060270824657
Dark Grey (UK)	USB/002/001/DG	5060270824664

WARRANTY

Warranty Term 1 Year

COMPLIANCE & SAFETY CERTIFICATION

The Flo Power Hub has been independently tested for compliance with the following standards:

IEC 60065:2001 +A1:2005 +A2:2011 Audio, video and similar electronic apparatus – Safety Requirements

EN 60065:2002 +A1:2006 +A11:2008 +A2:2010 +A12:2011 Audio, video and similar electronic apparatus – Safety Requirements

EN 55022:2010/AC:2011 Information technology equipment – Radio disturbance characteristics – Limits and methods of measurements

EN 55024:2010 Information technology equipment – Immunity characteristics – Limits and methods of measurements (CISPR 24:2010)

AS/NZS CISPR 22:2009+A1:2010 Information technology equipment – Radio disturbance characteristics – Limits and methods of measurements

FCC Part 15 Subpart B:2014

47 CFR Part 15 Radio Frequency Devices

ICES-003 Issue 5 2012 Information technology equipment (ITE) – Limits and methods of measurement

UL 817 Standard for cord sets and power supply cords

CSA C22.2 NO 42 General use receptacles, attachment plugs, and similar wiring devices

DIN EN 60320-1:2001 (VDE 0625-1)+A1 2007 Appliance couplers for household and similar general purposes. General requirements

BS 1363 Parts 1-5 plugs, socket-outlets, adaptors, fused connection units and conversion plugs

AS/NZS 60320.1:2004 Appliance couplers for household and similar general purposes. General requirements

CNCA-01C-001:2001 Implementation rules for compulsory certification of certification or electrical and electronic products

JET2591-43006-1001 Power outlet plug for appliance

UL817 CSA C22.2

EN60320 C7

ENVIRONMENTAL (TBC)

Material type	Material type Weight	% PIR of total weight	% PCR of total weight	% of total product recyclable
----------------------	---------------------------------	----------------------------------	----------------------------------	--

Data to be confirmed

CLEANING, STORAGE & MAINTENANCE

Routine servicing	Periodic inspection
Service components	No user serviceable components
Cleaning & Maintenance	Damp cloth, no abrasives, no solvents to be used on the cosmetic surfaces. IMPORTANT: Always disconnect from power source when cleaning.
Handling & Storage	Do not drop or expose to moisture

Colebrook Bosson Saunders (Products) Ltd accept no liability for the accuracy of the information contained herein and retain the right to modify the specifications or data contained herein without prior notification.